

# On the reality of the quantum state

Matthew F. Pusey<sup>1\*</sup>, Jonathan Barrett<sup>2</sup> and Terry Rudolph<sup>1</sup>

**Quantum states are the key mathematical objects in quantum theory. It is therefore surprising that physicists have been unable to agree on what a quantum state truly represents. One possibility is that a pure quantum state corresponds directly to reality. However, there is a long history of suggestions that a quantum state (even a pure state) represents only knowledge or information about some aspect of reality. Here we show that any model in which a quantum state represents mere information about an underlying physical state of the system, and in which systems that are prepared independently have independent physical states, must make predictions that contradict those of quantum theory.**

At the heart of much debate concerning quantum theory lies the quantum state. Does the wavefunction correspond directly to some kind of physical wave? If so, it is an odd kind of wave, as it is defined on an abstract configuration space, rather than the three-dimensional space in which we live. Nonetheless, quantum interference, as exhibited in the famous two-slit experiment, seems most readily understood by the idea that it is a real wave that is interfering. Many physicists and chemists concerned with pragmatic applications of quantum theory successfully treat the quantum state in this way.

Many others have suggested that the quantum state is something less than real<sup>1–8</sup>. In particular, it is often argued that the quantum state does not correspond directly to reality, but represents an experimenter's knowledge or information about some aspect of reality. This view is motivated by, amongst other things, the collapse of the quantum state on measurement. If the quantum state is a real physical state, then collapse is a mysterious physical process, whose precise time of occurrence is not well defined. From the 'state of knowledge' view, the argument goes, collapse need be no more mysterious than the instantaneous Bayesian updating of a probability distribution on obtaining new information.

The importance of these questions was eloquently stated by Jaynes:

*But our present (quantum mechanical) formalism is not purely epistemological; it is a peculiar mixture describing in part realities of Nature, in part incomplete human information about Nature—all scrambled up by Heisenberg and Bohr into an omelette that nobody has seen how to unscramble. Yet we think that the unscrambling is a prerequisite for any further advance in basic physical theory. For, if we cannot separate the subjective and objective aspects of the formalism, we cannot know what we are talking about; it is just that simple.<sup>9</sup>*

This Article presents a no-go theorem: if the quantum state merely represents information about the real physical state of a system, then experimental predictions are obtained that contradict those of quantum theory. The argument depends on few assumptions. One is that a system has a 'real physical state'—not necessarily completely described by quantum theory, but objective and independent of the observer. This assumption only needs to hold for systems that are isolated, and not entangled with other systems. Nonetheless, this assumption, or some part of

it, would be denied by instrumentalist approaches to quantum theory, wherein the quantum state is merely a calculational tool for making predictions concerning macroscopic measurement outcomes. The other main assumption is that systems that are prepared independently have independent physical states.

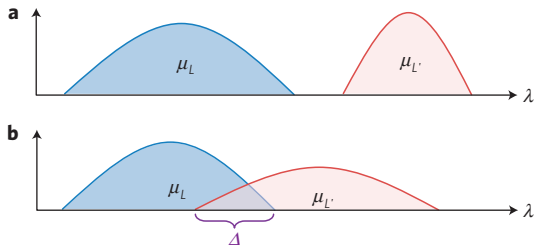
To make some of these notions more precise, let us begin by considering the classical mechanics of a point particle moving in one dimension. At a given moment of time, the physical state of the particle is completely specified by its position  $x$  and momentum  $p$ , and hence corresponds to a point  $(x, p)$  in a two-dimensional phase space. Other physical properties are either fixed, such as mass or charge, or are functions of the state, such as energy  $H(x, p)$ . Viewing the fixed properties as constant functions, let us define 'physical property' to mean some function of the physical state.

Sometimes, the exact physical state of the particle might be uncertain, but there is nonetheless a well-defined probability distribution  $\mu(x, p)$ . Although  $\mu(x, p)$  evolves in a precise manner according to Liouville's equation, it does not directly represent reality. Rather,  $\mu(x, p)$  is a state of knowledge: it represents an experimenter's uncertainty about the physical state of the particle.

Now consider a quantum system. The hypothesis is that the quantum state is a state of knowledge, representing uncertainty about the real physical state of the system. Hence assume some theory or model, perhaps undiscovered, that associates a physical state  $\lambda$  with the system. If a measurement is made, the probabilities for different outcomes are determined by  $\lambda$ . If a quantum system is prepared in a particular way, then quantum theory associates a quantum state (assume for simplicity that it is a pure state)  $|\psi\rangle$ , but the physical state  $\lambda$  need not be fixed uniquely by the preparation—rather, the preparation results in a physical state  $\lambda$  according to some probability distribution  $\mu_\psi(\lambda)$ .

Given such a model, Harrigan and Spekkens<sup>10</sup> give a precise meaning to the idea that a quantum state corresponds directly to reality or represents only information. To explain this, the example of the classical particle is again useful. Here, if an experimenter knows only that the system has energy  $E$ , and is otherwise completely uncertain, the experimenter's knowledge corresponds to a distribution  $\mu_E(x, p)$  uniform over all points in phase space with  $H(x, p) = E$ . As the energy is a physical property of the system, different values of the energy  $E$  and  $E'$  correspond to disjoint regions of phase space, hence the distributions  $\mu_E(x, p)$  and  $\mu_{E'}(x, p)$  have disjoint supports. On the other hand, if two probability distributions  $\mu_L(x, p)$  and  $\mu_{L'}(x, p)$  have overlapping

<sup>1</sup>Department of Physics, Imperial College London, Prince Consort Road, London SW7 2AZ, UK, <sup>2</sup>Department of Mathematics, Royal Holloway, University of London, Egham Hill, Egham TW20 0EX, UK. \*e-mail: m@physics.org.



**Figure 1 | Physical properties.** Our definition of a physical property is illustrated. Consider a collection, labelled by  $L$ , of probability distributions  $\{\mu_L(\lambda)\}$ .  $\lambda$  denotes a system's physical state. **a**, If every pair of distributions are disjoint, then the label  $L$  is uniquely fixed by  $\lambda$  and we call it a physical property. **b**, If, however,  $L$  is not a physical property, then there exists a pair of labels  $L, L'$  with distributions that both assign positive probability to some overlap region  $\Delta$ . A  $\lambda$  from  $\Delta$  is consistent with either label.

supports, that is there is some region  $\Delta$  of phase space where both distributions are non-zero, then the labels  $L$  and  $L'$  cannot refer to a physical property of the system (Fig. 1).

Similar considerations apply in the quantum case. Suppose that, for any pair of distinct quantum states  $|\psi_0\rangle$  and  $|\psi_1\rangle$ , the distributions  $\mu_0(\lambda)$  and  $\mu_1(\lambda)$  do not overlap: then, the quantum state  $|\psi\rangle$  can be inferred uniquely from the physical state of the system and hence satisfies the above definition of a physical property. Informally, every detail of the quantum state is 'written into' the real physical state of affairs. But if  $\mu_0(\lambda)$  and  $\mu_1(\lambda)$  overlap for at least one pair of quantum states, then  $|\psi\rangle$  can justifiably be regarded as 'mere' information.

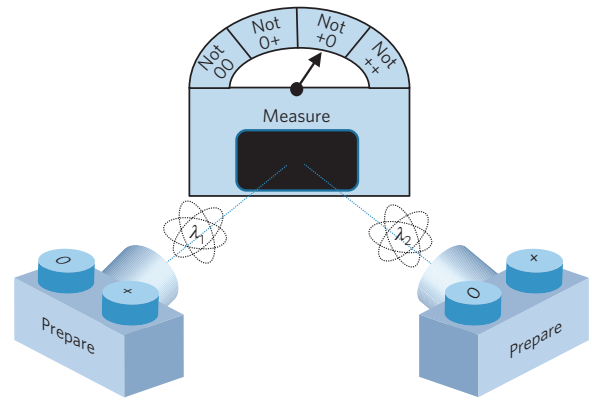
Our main result is that for distinct quantum states  $|\psi_0\rangle$  and  $|\psi_1\rangle$ , if the distributions  $\mu_0(\lambda)$  and  $\mu_1(\lambda)$  overlap (more precisely: if  $\Delta$ , the intersection of their supports, has non-zero measure), then there is a contradiction with the predictions of quantum theory. We present first a simple version of the argument, which works when  $|\langle\psi_0|\psi_1\rangle| = 1/\sqrt{2}$ . Then the argument is extended to arbitrary  $|\psi_0\rangle$  and  $|\psi_1\rangle$ . Finally, we present a more formal version of the argument, which works even in the presence of experimental error and noise.

Consider two methods of preparing a quantum system, corresponding to quantum states  $|\psi_0\rangle$  and  $|\psi_1\rangle$ , with  $|\langle\psi_0|\psi_1\rangle| = 1/\sqrt{2}$ . Choose a basis of the Hilbert space so that  $|\psi_0\rangle = |0\rangle$  and  $|\psi_1\rangle = |+\rangle = (|0\rangle + |1\rangle)/\sqrt{2}$ . To derive a contradiction, suppose that the distributions  $\mu_0(\lambda)$  and  $\mu_1(\lambda)$  overlap. Then there exists  $q > 0$  such that preparation of either quantum state results in a  $\lambda$  from the overlap region  $\Delta$  with probability at least  $q$ .

Now consider two systems whose physical states are uncorrelated. This can be achieved, for example, by constructing and operating two copies of a preparation device independently. Each system can be prepared such that its quantum state is either  $|\psi_0\rangle$  or  $|\psi_1\rangle$ , as illustrated in Fig. 2. With probability  $q^2 > 0$  it happens that the physical states  $\lambda_1$  and  $\lambda_2$  are both from the overlap region  $\Delta$ . This means that the physical state of the two systems is compatible with any of the four possible quantum states  $|0\rangle \otimes |0\rangle$ ,  $|0\rangle \otimes |+\rangle$ ,  $|+\rangle \otimes |0\rangle$  and  $|+\rangle \otimes |+\rangle$ .

The two systems are brought together and measured. The measurement is an entangled measurement, which projects onto the four orthogonal states:

$$\begin{aligned} |\xi_1\rangle &= \frac{1}{\sqrt{2}}(|0\rangle \otimes |1\rangle + |1\rangle \otimes |0\rangle) \\ |\xi_2\rangle &= \frac{1}{\sqrt{2}}(|0\rangle \otimes |-\rangle + |1\rangle \otimes |+\rangle) \\ |\xi_3\rangle &= \frac{1}{\sqrt{2}}(|+\rangle \otimes |1\rangle + |-\rangle \otimes |0\rangle) \\ |\xi_4\rangle &= \frac{1}{\sqrt{2}}(|+\rangle \otimes |-\rangle + |-\rangle \otimes |+\rangle) \end{aligned} \quad (1)$$



**Figure 2 | The protocol.** Two systems are prepared independently. The quantum state of each, determined by the preparation method, is either  $|0\rangle$  or  $|+\rangle$ . The two systems are brought together and measured. The outcome of the measurement can only depend on the physical states of the two systems at the time of measurement.

where  $|-\rangle = (|0\rangle - |1\rangle)/\sqrt{2}$ . The first outcome is orthogonal to  $|0\rangle \otimes |0\rangle$ , hence quantum theory predicts that this outcome has probability zero when the quantum state is  $|0\rangle \otimes |0\rangle$ . Similarly, outcome  $|\xi_2\rangle$  has probability zero if the state is  $|0\rangle \otimes |+\rangle$ ,  $|\xi_3\rangle$  if  $|+\rangle \otimes |0\rangle$ , and  $|\xi_4\rangle$  if  $|+\rangle \otimes |+\rangle$ . This leads immediately to the desired contradiction. At least  $q^2$  of the time, the measuring device is uncertain which of the four possible preparation methods was used, and on these occasions it runs the risk of giving an outcome that quantum theory predicts should occur with probability 0. Importantly, we have needed to say nothing about the value of  $q$  per se to arrive at this contradiction.

We have shown that the distributions for  $|0\rangle$  and  $|+\rangle$  cannot overlap. If the same can be shown for any pair of quantum states  $|\psi_0\rangle$  and  $|\psi_1\rangle$ , then the quantum state can be inferred uniquely from  $\lambda$ . In this case, the quantum state is a physical property of the system.

For any pair of distinct non-orthogonal states  $|\psi_0\rangle$  and  $|\psi_1\rangle$ , a basis of the Hilbert space can be chosen such that

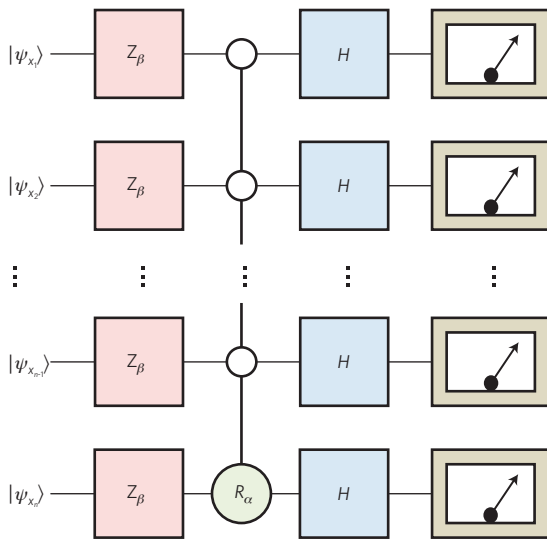
$$\begin{aligned} |\psi_0\rangle &= \cos(\theta/2)|0\rangle + \sin(\theta/2)|1\rangle \\ |\psi_1\rangle &= \cos(\theta/2)|0\rangle - \sin(\theta/2)|1\rangle \end{aligned} \quad (2)$$

with  $0 < \theta < \pi/2$ . These states span a two-dimensional subspace of the Hilbert space. We can restrict attention to this subspace and from here on, without loss of generality, treat the systems as qubits. As above, suppose that there is a probability at least  $q > 0$  that the physical state of the system after preparation is compatible with either preparation method having been used, that is, the resulting  $\lambda$  is in  $\Delta$ .

A contradiction is obtained when  $n$  uncorrelated systems are prepared, where  $n$  will be fixed shortly. Depending on which of the two preparation methods is used each time, the  $n$  systems are prepared in one of the quantum states

$$|\Psi(x_1 \dots x_n)\rangle = |\psi_{x_1}\rangle \otimes \dots \otimes |\psi_{x_{n-1}}\rangle \otimes |\psi_{x_n}\rangle \quad (3)$$

where  $x_i \in \{0, 1\}$ , for each  $i$ . As the preparations are independent, there is a probability at least  $q^n$  that the complete physical state of the systems emerging from the devices is compatible with any one of these  $2^n$  quantum states. The contradiction is obtained if there is a joint measurement on the  $n$  systems such that each outcome has probability zero on at least one of the  $|\Psi(x_1 \dots x_n)\rangle$ . (This type of measurement was first introduced in a different context by Caves, Fuchs and Schack<sup>11</sup>; in their terminology, the existence of such a measurement shows the states are post-Peierls incompatible.)



**Figure 3 | The circuit.** The main argument requires a joint measurement on  $n$  qubits with the property that each outcome has probability zero on one of the input states. Such a measurement can be made by implementing the quantum circuit shown, followed by a measurement of each qubit in the computational basis. The single-qubit gates are given by  $Z_\beta = |0\rangle\langle 0| + e^{i\beta}|1\rangle\langle 1|$  and the Hadamard gate  $H = |+\rangle\langle 0| + |-\rangle\langle 1|$ . The entangling gate in the middle rotates the phase of only one state:  $R_\alpha |00\dots 0\rangle = e^{i\alpha} |00\dots 0\rangle$ , leaving all other computational basis states unaffected.

A suitable measurement is most easily described as a quantum circuit, followed by a measurement onto the  $\{|0\rangle, |1\rangle\}$  basis for each qubit. It is illustrated in Fig. 3.

The circuit is parameterized by two real numbers,  $\alpha$  and  $\beta$ . In Supplementary Information it is shown that for any  $0 < \theta < \pi/2$ , and for any  $n$  chosen large enough that  $2^{1/n} - 1 \leq \tan(\theta/2)$ , it is possible to choose  $\alpha$  and  $\beta$  such that the measurement has the desired feature: each outcome has, according to quantum theory, probability zero on one of the states  $|\Psi(x_1\dots x_n)\rangle$ .

The presentation so far has been somewhat heuristic. We turn to a more formal statement of the result, including the possibility of experimental error. This is important because the argument so far uses the fact that quantum probabilities are sometimes exactly zero. It is important to have a version of the argument that is robust against small amounts of noise. Otherwise the conclusion—that the quantum state is a physical property of a quantum system—would be an artificial feature of the exact theory, but irrelevant to the real world, and experimental test would be impossible.

Let us restate our assumptions more mathematically. First, assume a measure space  $\Lambda$ , understood as the set of possible physical states  $\lambda$  in which a system can be. Preparation of the quantum state  $|\psi_i\rangle$  is assumed to result in a  $\lambda$  sampled from a probability distribution  $\mu_i(\lambda)$  over  $\Lambda$ . Second, assume that it is possible to prepare  $n$  systems independently, with quantum states  $|\psi_{x_1}\rangle, \dots, |\psi_{x_n}\rangle$ , resulting in physical states  $\lambda_1, \dots, \lambda_n$  distributed according to the product distribution

$$\mu_{x_1}(\lambda_1)\mu_{x_2}(\lambda_2)\dots\mu_{x_n}(\lambda_n) \tag{4}$$

Finally, assume that  $\lambda_1, \dots, \lambda_n$  fixes the probability for the outcome  $k$  of a measurement according to some probability distribution  $p(k|\lambda_1, \dots, \lambda_n)$ . The operational probabilities  $p(k|\Psi(x_1\dots x_n))$  are given by

$$\int_{\Lambda} \dots \int_{\Lambda} p(k|\lambda_1, \dots, \lambda_n)\mu_{x_1}(\lambda_1)\dots\mu_{x_n}(\lambda_n)d\lambda_1\dots d\lambda_n \tag{5}$$

If an experiment is carried out, it will be possible to establish with high confidence that the probability for each measurement outcome is within  $\epsilon$  of the predicted quantum probability for some small  $\epsilon > 0$ . The final result relates  $\epsilon$  to the total variation distance<sup>12</sup> between  $\mu_0$  and  $\mu_1$ , defined by

$$D(\mu_0, \mu_1) = \frac{1}{2} \int_{\Lambda} |\mu_0(\lambda) - \mu_1(\lambda)| d\lambda \tag{6}$$

It is a measure of how easy it is to distinguish two probability distributions. If  $D(\mu_0, \mu_1) = 1$ , then  $\mu_0$  and  $\mu_1$  are completely disjoint. In this case, the probability of  $\lambda$  being compatible with both preparations ( $q$  above) is zero. In Supplementary Information we show that if the probabilities predicted by a model are within  $\epsilon$  of the quantum probabilities then

$$D(\mu_0, \mu_1) \geq 1 - 2\sqrt{\epsilon} \tag{7}$$

for  $2^{1/n} - 1 \leq \tan(\theta/2)$ . For small  $\epsilon$ ,  $D(\mu_0, \mu_1)$  is close to 1. Hence a successful experiment would show that  $\lambda$  is normally closely associated with only one of the two quantum states.

Carrying out an experiment to implement the circuit in Fig. 3 for small values of  $n$  is challenging but not unrealistic given current technology. Whereas all the gates required have already been demonstrated at some point, our result requires such gates acting with high fidelity in a non-postselected fashion (this latter because otherwise the measuring device can use the extra freedom in the postselection to escape the zero-probability outcomes those times it is unsure of the preparation procedure).

In conclusion, we have presented a no-go theorem, which—modulo assumptions—shows that models in which the quantum state is interpreted as mere information about an objective physical state of a system cannot reproduce the predictions of quantum theory. The result is in the same spirit as Bell’s theorem<sup>13</sup>, which states that no local theory can reproduce the predictions of quantum theory. Both theorems need to assume that a system has an objective physical state  $\lambda$  such that probabilities for measurement outcomes depend only on  $\lambda$ . But our theorem only assumes this for systems prepared in isolation from the rest of the universe in a quantum pure state. This is unlike Bell’s theorem, which needs to assume the same thing for entangled systems. Neither theorem assumes underlying determinism.

Bell’s theorem assumes that it is possible to make independent choices of measurement, and as local models that drop measurement independence can be constructed<sup>14,15</sup> this assumption is necessary. Somewhat analogously, models where the quantum state is not a physical property can be constructed by dropping our assumption of preparation independence<sup>16</sup>. As both assumptions are very reasonable, it is not surprising that in both cases the models obtained by dropping them seem extremely contrived.

An important step towards the derivation of our result is the idea that the quantum state is physical if distinct quantum states correspond to non-overlapping distributions for  $\lambda$ . The precise formalization of this idea appeared in the work of Spekkens<sup>17</sup> and of Harrigan and Spekkens<sup>10</sup>, and is also due to L. Hardy (private communication). In the terminology of Harrigan and Spekkens, we have shown that  $\psi$ -epistemic models cannot reproduce the predictions of quantum theory. The general notion that two distinct quantum states may describe the same state of reality, however, has a long history. For example, in a letter to Schrödinger containing a variant of the famous Einstein–Podolsky–Rosen argument<sup>1</sup>, Einstein argues from locality to the conclusion that ‘... for the same (real) state of (the system at)  $B$  there are two (in general arbitrarily many) equally justified  $\Psi_B$ , which contradicts the hypothesis of a one-to-one or complete description of the real states’<sup>18</sup>.

In this version of the argument, Einstein really is concerned with the possibility that there are two distinct quantum states for the

same reality. He is not concluding that there are two different states of reality corresponding to the same quantum state (which would be the more commonly understood notion of incompleteness associated with Einstein).

Finally, what are the consequences if we simply accept both the assumptions and the conclusion of the theorem? If the quantum state is a physical property of a system then quantum collapse must correspond to a—problematic and poorly defined—physical process. If there is no collapse, on the other hand, then after a measurement takes place the joint quantum state of the system and measuring apparatus is entangled and contains a component corresponding to each possible macroscopic measurement outcome. This would be unproblematic if the quantum state merely reflected a lack of information about which outcome occurred. However, if the quantum state is a physical property of the system and apparatus, it is hard to avoid the conclusion that each macroscopically different component has a direct counterpart in reality.

On a related but more abstract note, the quantum state has the striking property that the number of real parameters needed to specify it is exponential in the number of systems  $n$ . This is to be expected if the quantum state represents information, but is—to us—very surprising if it has a direct image in reality. Note that, in previous work, it has been shown that the set  $\mathcal{A}$  of physical states must have infinite cardinality<sup>19</sup>, and that, given some assumptions about the underlying dynamics, the physical state must have at least as many real parameters as the quantum state<sup>20,21</sup>. Similar conclusions can be drawn from ideas in communication complexity<sup>22</sup>.

For these reasons and others, many will continue to view the quantum state as representing information. One approach is to take this to be information about possible measurement outcomes, and not about the objective state of a system<sup>23</sup>. Another is to construct concrete models of reality wherein one or more of our assumptions fail.

Received 5 March 2012; accepted 11 April 2012; published online 6 May 2012

## References

- Einstein, A., Podolsky, B. & Rosen, N. Can quantum-mechanical description of physical reality be considered complete? *Phys. Rev.* **47**, 777–780 (1935).
- Popper, K. R. in *Quantum Theory and Reality* (ed. Bunge, M.) Ch. 1 (Springer, 1967).
- Ballentine, L. E. The statistical interpretation of quantum mechanics. *Rev. Mod. Phys.* **42**, 358–381 (1970).
- Peierls, R. E. *Surprises in Theoretical Physics* 32 (Princeton Univ. Press, 1979).
- Jaynes, E. T. in *Foundations of Radiation Theory and Quantum Electrodynamics* (ed. Barut, A. O.) (Plenum, 1980).
- Zeilinger, A. Letter. *Phys. Today* **52**, 13–15 (February, 1999).
- Caves, C. M., Fuchs, C. A. & Schack, R. Quantum probabilities as bayesian probabilities. *Phys. Rev. A* **65**, 022305 (2002).
- Spekkens, R. W. Evidence for the epistemic view of quantum states: A toy theory. *Phys. Rev. A* **75**, 032110 (2007).
- Jaynes, E. T. in *Complexity, Entropy, and the Physics of Information* (ed. Zurek, W. H.) 381 (Addison-Wesley, 1990).
- Harrigan, N. & Spekkens, R. W. Einstein, incompleteness, and the epistemic view of quantum states. *Found. Phys.* **40**, 125–157 (2010).
- Caves, C. M., Fuchs, C. A. & Schack, R. Conditions for compatibility of quantum-state assignments. *Phys. Rev. A* **66**, 062111 (2002).
- Gibbs, A. L. & Su, F. E. On choosing and bounding probability metrics. *Int. Stat. Rev.* **70**, 419–435 (2002).
- Bell, J. S. On the Einstein–Podolsky–Rosen paradox. *Physics* **1**, 195–200 (1964).
- Hall, M. J. W. Local deterministic model of singlet state correlations based on relaxing measurement independence. *Phys. Rev. Lett.* **105**, 250404 (2010).
- Barrett, J. & Gisin, N. How much measurement independence is needed to demonstrate nonlocality? *Phys. Rev. Lett.* **106**, 100406 (2011).
- Lewis, P. G., Jennings, D., Barrett, J. & Rudolph, T. The quantum state can be interpreted statistically. Preprint at <http://arxiv.org/abs/1201.6554> (2012).
- Spekkens, R. W. Contextuality for preparations, transformations, and unsharp measurements. *Phys. Rev. A* **71**, 052108 (2005).
- Einstein, A. Letter to Schrödinger (1935). Translation from Howard, D. Einstein on locality and separability. *Stud. Hist. Phil. Sci.* **16**, 171–201 (1985).
- Hardy, L. Quantum ontological excess baggage. *Stud. Hist. Phil. Sci. B* **35**, 267–276 (2004).
- Montina, A. Exponential complexity and ontological theories of quantum mechanics. *Phys. Rev. A* **77**, 022104 (2008).
- Montina, A. State-space dimensionality in short-memory hidden-variable theories. *Phys. Rev. A* **83**, 032107 (2011).
- Regev, O. & Klartag, B. *Proc. 43rd Annual ACM Symp. Theory Comput., STOC'11* 31–40 (ACM, 2011).
- Fuchs, C. A. QBism, the perimeter of quantum Bayesianism. Preprint at <http://arxiv.org/abs/1003.5209> (2010).

## Acknowledgements

We thank K. Audenaert for code, and L. Hardy, M. Leifer and R. Spekkens for discussions. All authors are supported by the Engineering and Physical Sciences Research Council.

## Author contributions

M.F.P. devised the initial version of the result. All authors contributed to improvements in the result and the writing of the manuscript.

## Additional information

The authors declare no competing financial interests. Supplementary information accompanies this paper on [www.nature.com/naturephysics](http://www.nature.com/naturephysics). Reprints and permissions information is available online at [www.nature.com/reprints](http://www.nature.com/reprints). Correspondence and requests for materials should be addressed to M.F.P.